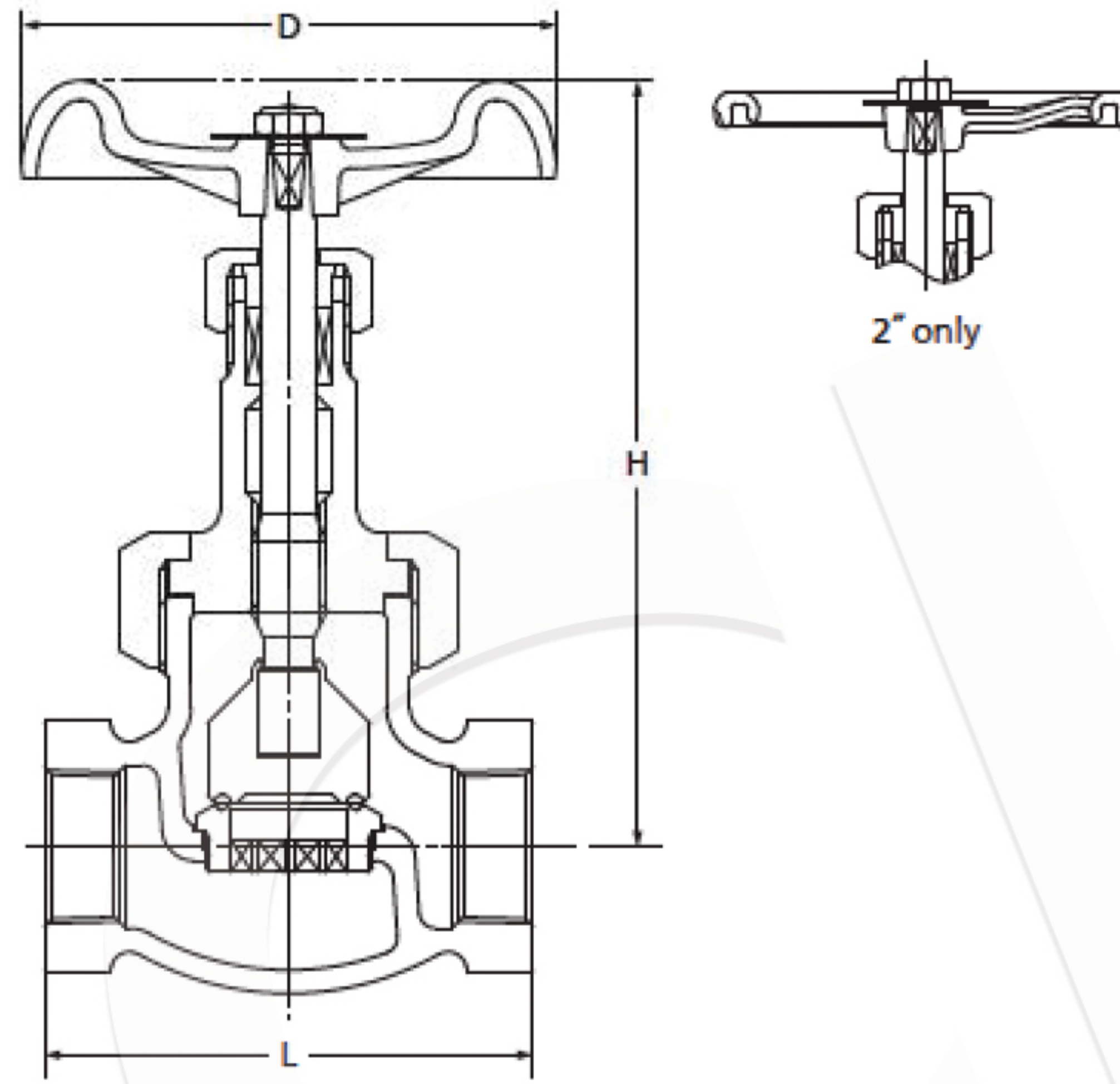
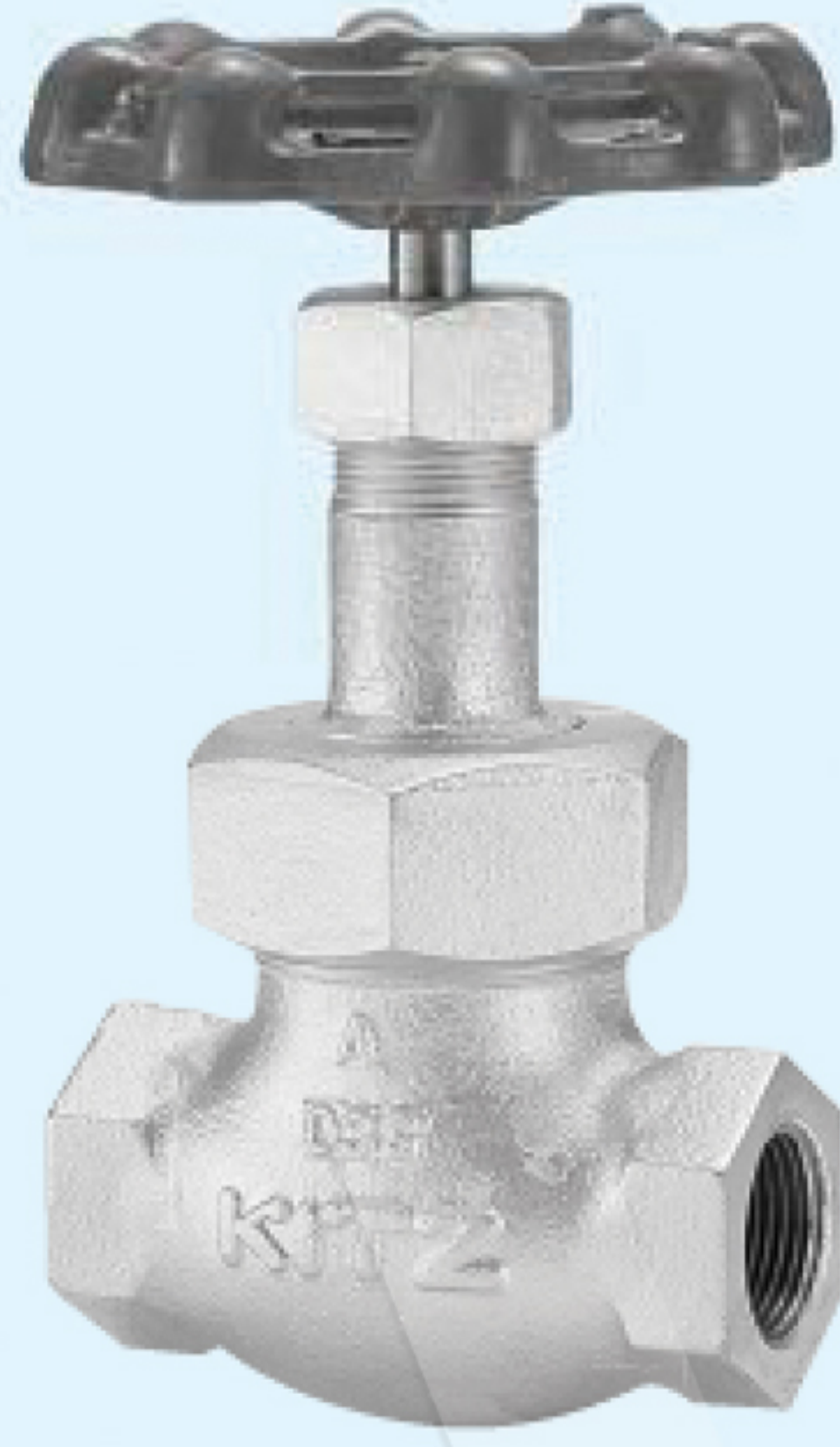


# 20K Globe Valve

20SY  
U.B.I.S.



End to end : KITZ Std.  
End connection : JIS B 0203

120°C Static water.....2.8MPa  
220°C Steam, air, gas, oil..... 2.5MPa  
300°C Steam, air, gas, oil..... 2.3MPa  
350°C Steam, air, gas, oil..... 2.0MPa

- Use for lubricating or hydraulic oil is acceptable. Contact KITZ Corporation for technical advice, if valves are used as heat transfer media.
- Employment of copper gasket prohibits use of this valve for ammonia or amine chemicals.

### Materials

Parts	JIS material
Body	FCD-S
Bonnet	FCD-S
Stem	SUS420J2
Disc	SUS403 + HF *
Body seat ring	SCS13A + HF *
Gland	SUS420J2 (1" & 2" : SUS403)
Gland packing	Non-asbestos Packing
Packing nut	FCD-S
Handwheel	FCD450-10 (2" : FCD400)
Wheel nut	SS400
Bonnet ring	FCD-S
Gasket	C1100P-0
Name plate	A1050P

\* Hard-faced with Co-Cr-W alloy

### Dimensions

Size	mm							
	mm inch	10	15	20	25	32	40	50
L		75	78	91	105	122	135	160
H (open)		136	138	157	178	202	210	239
D		70	80	100	115	135	135	180